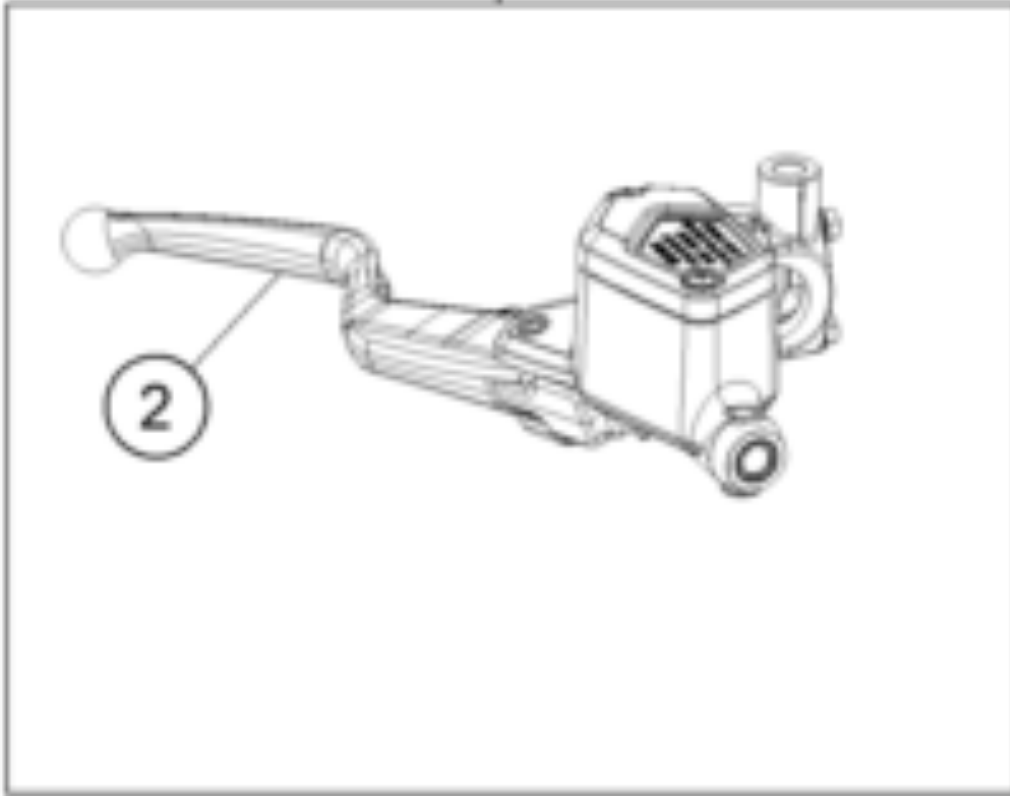


1



| Pos | Part Number | Description                    | Additional Text | Quantity |
|-----|-------------|--------------------------------|-----------------|----------|
| 1   | 96213001033 | CYLINDER ASSEMBLY MASTER FRONT |                 | 1.00     |
| 2   | 96213002000 | KIT FR BR LEVER ASSLY          |                 | 1.00     |