

1

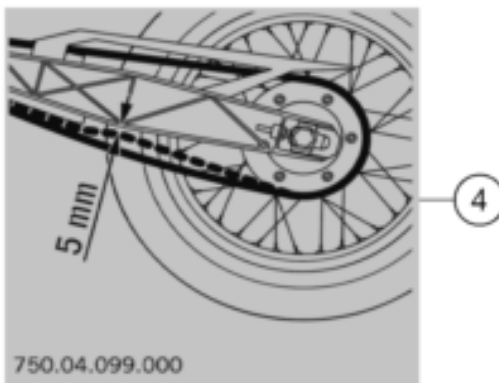
**ACHTUNG**  
Lesen Sie vor der ersten Inbetriebnahme des Fahrzeuges die gesamte Bedienungsanleitung aufmerksam durch!

**IMPORTANT**  
Please read the entire owner's manual carefully before putting the vehicle into operation for the first time.

**ATTENZIONE**  
Prima della messa in funzione iniziale del veicolo, leggere con attenzione l'intero manuale d'uso!

**ATTENTION**  
Lire attentivement l'ensemble du manuel d'utilisation avant de mettre le véhicule en service!

**ATENCIÓN**  
Lea completa y atentamente el manual de instrucciones antes de poner en servicio por primera vez el vehículo!



5

SETTING look owner's manual	701 VITPILEN 210.03.096.000			FORK			SHOCK		
	Compression (clicks open)	Rebound (clicks open)	Rebound (clicks open)	spring preload (mm)	spring preload (adjust)	rear: adjuster spring preload (mm)	rear: adjuster spring preload (adjust)		
Sport	11	11	10	7 mm	5	12 mm	10		
<b>Standard</b>	<b>14</b>	<b>14</b>	<b>15</b>						
Comfort	19	19	20						

Pos	Part Number	Description	Additional Text	Quantity
1	50307098000	STICKER "OWNERS MANUAL"		1.00
4	75004099000	AUFKLEBER "KETTENSpannung"		1.00
5	21003096000	STD setting sticker, VITPILEN		1.00