

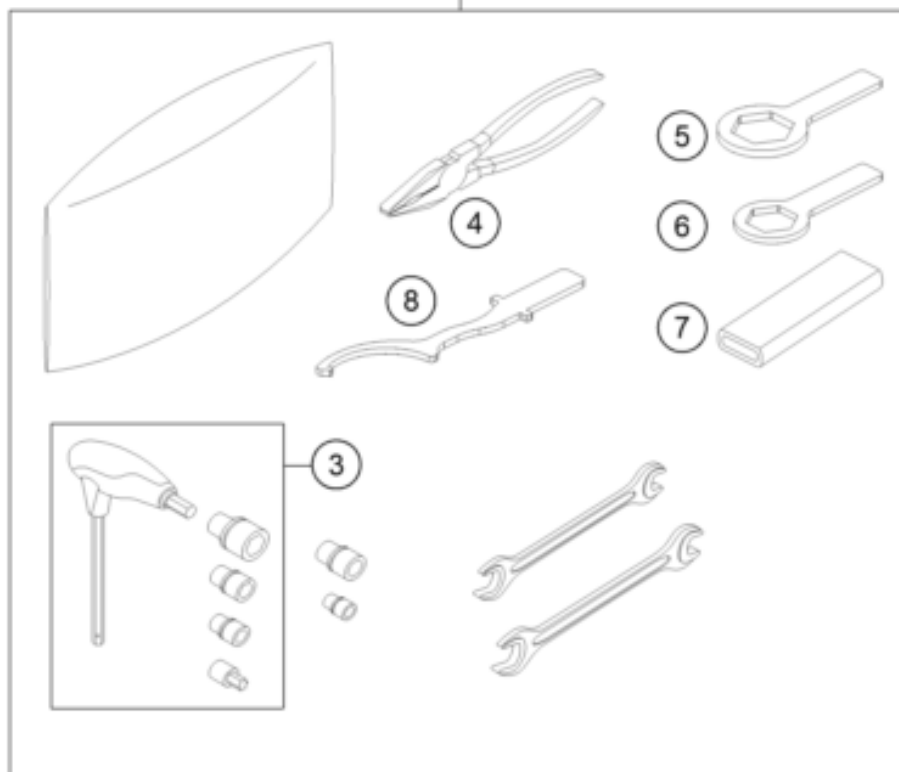
0

OHNE ABBILDUNG
WITHOUT ILLUSTRATION

1

TECHNISCHE DOKUMENTATION
TECHNICAL DOCUMENTATION

2



Pos	Part Number	Description	Additional Text	Quantity
0	HQV0051E	HQV OSP folder 2018		1.00
0	00063004202	PRINT LABEL 60X51 MM		1.00
0	80312002000	DOCUMENTS BAG HUSQVARNA		1.00
0	HQV170045INT	Notepad		1.00
0	HQV0110	Pen		1.00
0	58412040100	Rear view mirror, left/right		2.00
0	58412080400	Rear reflector red		1.00
0	61308192000	STICKER SET FORK WP SMALL		1.00
0	HQV0052E	HQV PG&A Street Folder		1.00
0	75029072000	SPARK PLUG WRENCH		1.00
0	2100501200033	Premuffler cover, left black		1.00
0	2100501300033	Premuffler cover, right black		1.00
0	78105181010	Torx screw M5x10 black		8.00
0	07970500000	TOOTH LOCK WASHER DIN6797-J		8.00
0	54603048600	RANGE CHANGE METAL NUT M5 INOX		8.00
0	00063099114	Pocket for operating manual 29		1.00
0	00063004106	SPIRALHÜLSEN LC4 + LC8		2.00
0	00063004108	Bubble wrap blanks 80MY		2.00

1	3402284EN	Own.manual Svartpilen 701 2019		1.00
2	21029099000	Tool set VITPILEN 701		1.00
3	60029070300	T-WRENCH WS=6/8/10/TX45/SK4X1		1.00
4	53012028200	GRIP ORANGE B&F		1.00
5	60012060032	RING WRENCH 32MM		1.00
6	76029063000	RING WRENCH SW27		1.00
7	60012060000	GRIP FOR RING WRENCH		1.00
8	76029062000	HOOK WRENCH F. SHOCK ABSORBER		1.00