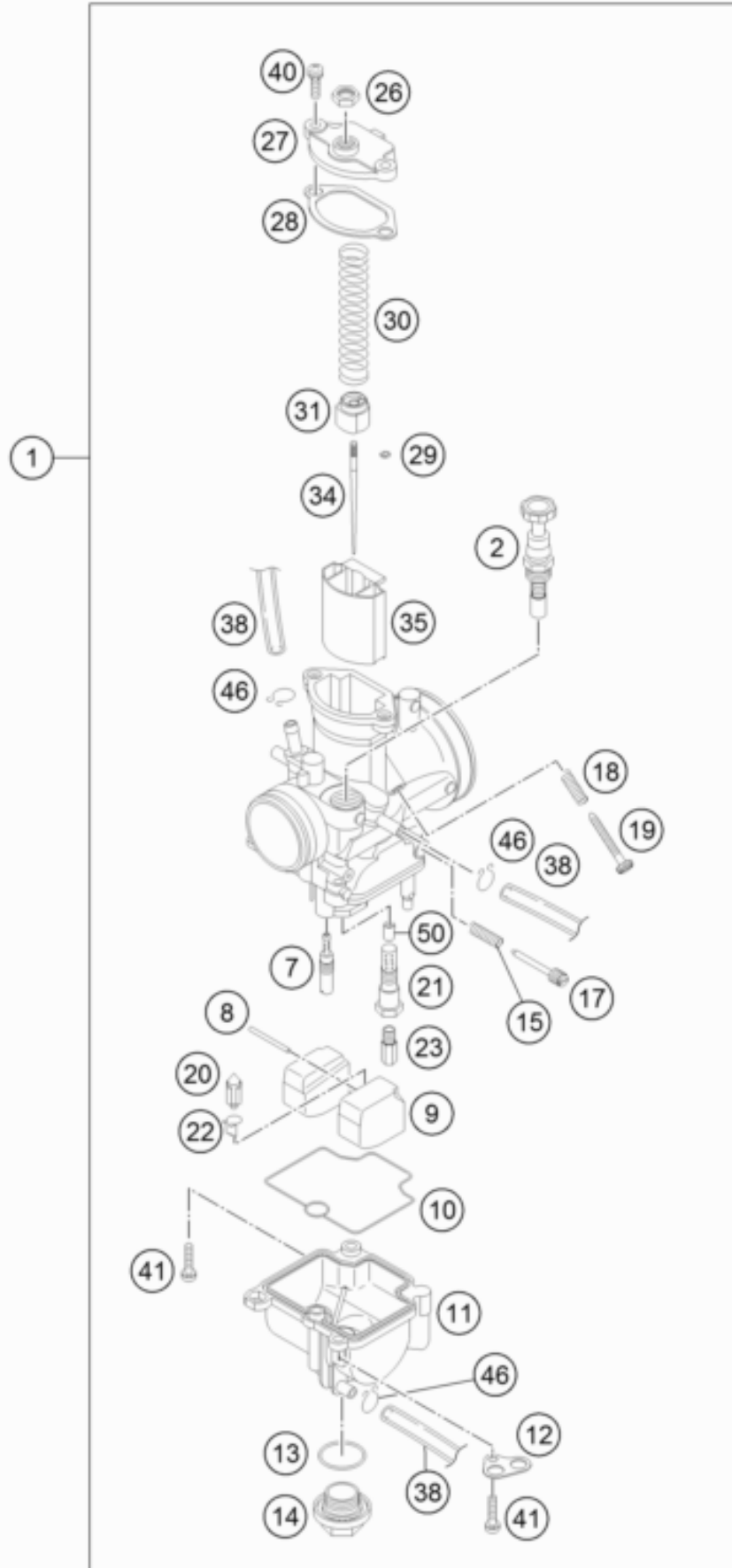


ACHTUNG !!!
Vor dem Einbau des Vergasers,
Bedüsung kontrollieren.

CAUTION !!!
Before mounting the carburetor,
check the jetting.



| Pos | Part Number | Description | Additional Text | Quantity |
|-----|-------------|--------------------------------|-----------------|----------|
| 1 | 47231001044 | Carburetor Keihin PWK 28 18 | | 1.00 |
| 2 | 54631245000 | STARTER PISTON CPL. | | 1.00 |
| 7 | 54531607040 | IDLE JET 40 KEIHIN | 450 SMR | 0.00 |
| 7 | 54531607042 | IDLE JET 42 KEIHIN | 525 SMR | 0.00 |
| 7 | 54531607045 | IDLE JET 45 KEIHIN | 200 MXC/EXC-USA | 0.00 |
| 7 | 54531607048 | IDLE JET 48 KEIHIN | 125 SX | 1.00 |
| 7 | 54531607050 | IDLE JET 50 KEIHIN | | 0.00 |
| 7 | 54531607052 | IDLE JET 52 KEIHIN | | 0.00 |
| 8 | 57331008000 | ARM PIN FLOAT | | 1.00 |
| 9 | 47031009000 | FLOAT CPL. PWK28 03 | | 1.00 |
| 10 | 47031010000 | FLOAT CHAMBER GASKET | | 1.00 |
| 11 | 72531011000 | FLOAT CHAMBER COMP. ASSY | | 1.00 |
| 12 | 54531612100 | RETAINING PLATE FOR BLEEDER | | 2.00 |
| 13 | 0770180230 | O-RING 18,00X2,30 NBR 70 | | 1.00 |
| 14 | 54531699000 | PLUG M 18X1 | | 1.00 |
| 15 | 54531615000 | SPRING FOR ADJUSTMENT SCREW | | 1.00 |
| 17 | 54531617000 | ADJUSTMENT SCREW | | 1.00 |
| 18 | 54631118000 | SPRING | | 1.00 |
| 19 | 54631219100 | ADJUSTMENT SCREW M 5 | | 1.00 |
| 20 | 47031020000 | FLOAT NEEDLE CPL. | | 1.00 |
| 21 | 72531022000 | NEEDLE JET HOLDER 14 | | 1.00 |
| 22 | 54531621000 | CLAMP | | 1.00 |
| 23 | 54531623138 | Main Jet 138 Keihin | | 0.00 |
| 23 | 54531623140 | MAIN JET GR 140 | | 0.00 |
| 23 | 54531623142 | MAIN JET 142 KEIHIN | | 1.00 |
| 23 | 54531623145 | Main jet 145 | | 0.00 |
| 23 | 54531623148 | MAIN JET 148 KEIHIN | 125 EXC-EU/AUS | 0.00 |
| 23 | 54531623150 | MAIN JET 150 KEIHIN | | 0.00 |
| 23 | 54531623152 | MAIN JET 152 KEIHIN | | 0.00 |
| 26 | 52031126000 | HEXAGON NUT M 6X0,75 DIN0439 | | 1.00 |
| 27 | 47031027000 | CARBURETOR COVER PWK28 03 | | 1.00 |
| 28 | 47031028000 | CARBURETOR COVER GASKET PWK28 | | 1.00 |
| 29 | 54531629000 | CLIP FOR JET NEEDLE | | 1.00 |
| 30 | 47031030000 | THROTTLE VALVE SPRING | | 1.00 |
| 31 | 47031031000 | SPRING CAP | | 1.00 |
| 34 | 47231034000 | Jet needle Keihin NRKA | | 0.00 |
| 34 | 47231034100 | Jet needle Keihin NRKB | | 0.00 |
| 34 | 47231034200 | Jet Needle Keihin NRKC | | 1.00 |
| 34 | 47231034300 | Jet needle Keihin NRKD | | 0.00 |
| 34 | 47231034400 | Jet needle Keihin NRKE | | 0.00 |
| 34 | 47231134000 | Jet needle Keihin NRJA | | 0.00 |
| 34 | 47231134100 | Jet needle Keihin NRJB | | 0.00 |
| 34 | 47231134200 | Jet needle Keihin NRJC | | 0.00 |
| 34 | 47231134300 | Jet needle Keihin NRJD | | 0.00 |
| 34 | 47231134400 | Jet needle Keihin NRJE | | 0.00 |
| 34 | 54531636012 | "Jet needle Keihin ""NRJC"" | | 0.00 |
| 35 | 47231035000 | "Throttle Valve ""3.0"" Keihin | | 1.00 |
| 38 | 31007007101 | PVC-HOSE 4X6MM | | 2.20 |
| 40 | 0016040163 | HH COLLAR SCREW M 4X16 WS=6 | | 2.00 |
| 41 | 0985040163 | FLAT HEAD SCREW DIN7985-M 4X16 | | 2.00 |

| | | | | |
|----|-------------|------------|--|------|
| 46 | 54531696000 | Clamp 6mm | | 5.00 |
| 50 | 47231021000 | Needle Jet | | 1.00 |