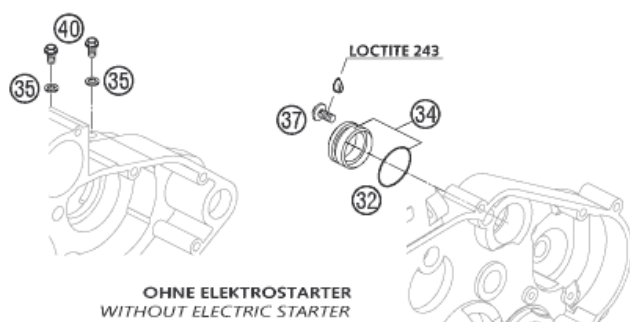


FE + FS



FC

OHNE ELEKTROSTARTER  
WITHOUT ELECTRIC STARTER

Pos	Part Number	Description	Additional Text	Quantity
1	80040001000	E-STARTER ENGINE CPL. 03	450/501	1.00
1	82040001000	E-STARTER ENGINE CPL. 04	550/650	1.00
2	81040002000	BRACKET ELEC. STARTER ENG. 04	450/501	1.00
3	82040002000	BRACKET ELEC. STARTER ENG. 04	550/650	1.00
20	80040020000	FREE WHEEL GEAR 03		1.00
21	80040021000	GEAR WHEEL TORQUE LIMITER		1.00
24	0405101310	NEEDLE BEARING K 10X13X10 02		1.00
25	80040025000	FREE WHEEL HUB 03		1.00
26	80040026000	FREE WHEEL 03		1.00
32	0770242030	O-RING 24,20X3,00 NBR70		1.00
34	80040034100	PLUG ELECTRIC STARTER 04		1.00
35	0603061001	CU-SEAL RING DIN7603-6X10X1		2.00
37	0014060103	HH COLLAR SCREW M 6X10 WS=8		1.00
40	0015060103	HH COLLAR SCREW M 6X10 WS=8	FC	2.00
43	0015060203	HH COLLAR SCREW M 6X20 WS=8		2.00
44	0015060253	HH COLLAR SCREW M 6X25 WS=8		2.00