



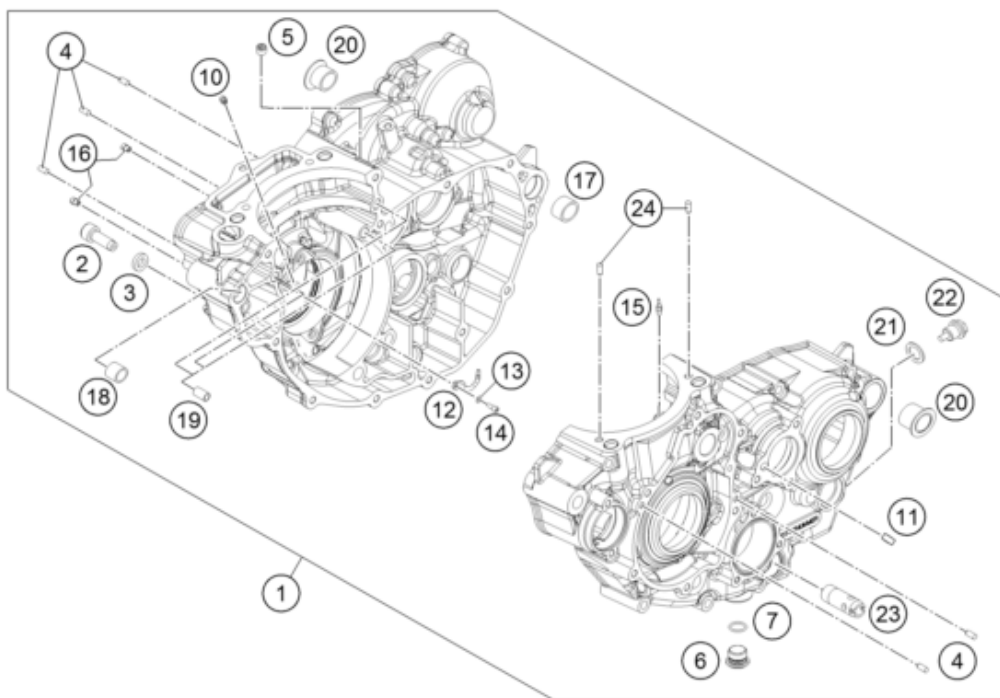
1

|    |    |    |    |    |    |    |    |
|----|----|----|----|----|----|----|----|
| 2  | 3  | 4  | 5  | 6  | 7  | 10 | 11 |
| 12 | 13 | 14 | 15 | 16 | 17 | 18 | 19 |
|    |    |    |    |    | 20 | 21 | 22 |
|    |    |    |    |    | 23 | 24 |    |

8x 0019 050106,  
5x 590.30.196.000,  
1x 0018 050103,  
1x 0912 060163  
1x 0912 060404,  
6x 750.30.085.000,  
1x 780.33.132.000,  
1x 590.33.018.000,  
1x 590.40.028.000,  
1x 770.38.013.100,  
1x 772.38.061.050,  
1x 772.33.088.000,  
1x 800.30.058.060

**+ WELLENDICHTRINGE / SEAL RINGS**  
1x 0760 324571,  
1x 0760 405560,  
1x 0760 142460

**+ LAGER / BEARINGS**  
2x 773.30.082.200,  
2x 546.32.095.000,  
1x 772.30.058.000, 0625 160041,  
490.30.023.000, 0625 618050,  
0625 062054, 0625 062035



| Pos | Part Number | Description                   | Additional Text  | Quantity |
|-----|-------------|-------------------------------|------------------|----------|
| 1*  | 77730000344 | ENGINE CASE CPL. 250          |                  | 1.00     |
| 2   | 58030080000 | LOCATING SCREW M8 L=23        | 450/525 MXC, EXC | 1.00     |
| 3   | 58030081000 | CU-SEAL RING 8 X 14 X 3       |                  | 1.00     |
| 4   | 0402040980  | Needle roll.DIN5402 NRB 4X9.8 |                  | 5.00     |
| 5   | 0906100100  | pipe plug DIN 906 M10x1       |                  | 1.00     |
| 6   | 78036081000 | HOLDING BOLT M14X1,5          |                  | 1.00     |
| 7   | 0770110015  | O-ring 11x1.5 VITON           |                  | 1.00     |
| 8   | 0025060556  | HH collar screw M6x55 TX30    |                  | 6.00     |
| 9   | 0025060656  | HH COLLAR SCREW M6X65 TX30    |                  | 4.00     |
| 10  | 80030058060 | OIL JET "60" M4               |                  | 1.00     |
| 11  | 77230066000 | THROTTLE M5X10X0,5            |                  | 1.00     |

|    |             |                                |                              |      |
|----|-------------|--------------------------------|------------------------------|------|
| 12 | 81230164050 | OIL JET ANGLED 50              |                              | 1.00 |
| 13 | 0770035020  | O-RING 3,5X2,00 NBR            |                              | 1.00 |
| 14 | 0912040103  | AH.SCREW DIN0912-M 4X10        |                              | 1.00 |
| 15 | 60030063050 | oil jet 50 M5                  |                              | 1.00 |
| 16 | 59030058000 | JET 100 BING(44-031/180) M4    |                              | 2.00 |
| 17 | 59030024000 | DOWEL 17 X 19 X 12             |                              | 1.00 |
| 18 | 54630027000 | DOWEL BUSHING 13,8X11X12       |                              | 1.00 |
| 19 | 59030023000 | dowel sleeve 6x8x11.5          |                              | 3.00 |
| 20 | 75030010100 | CASE BUSH                      |                              | 2.00 |
| 21 | 58038022000 | CU-seal ring DIN7603-12X18X1.5 |                              | 1.00 |
| 22 | 58030021000 | OILDRAIN PLUG W.MAG. M 12X1,5  |                              | 1.00 |
| 23 | 77038022000 | OIL INTAKEPIPE                 |                              | 1.00 |
| 24 | 0402050080  | CYLINDER ROLLER ZRO 5X8        |                              | 2.00 |
| 25 | 0025060856  | HH COLLAR SCREW M6X85 TX30     | ONLY FOR CASE<br>77230000144 | 2.00 |
| 60 | 77730099000 | GASKET SET 250 SX-F            |                              | 1.00 |

\* = New part