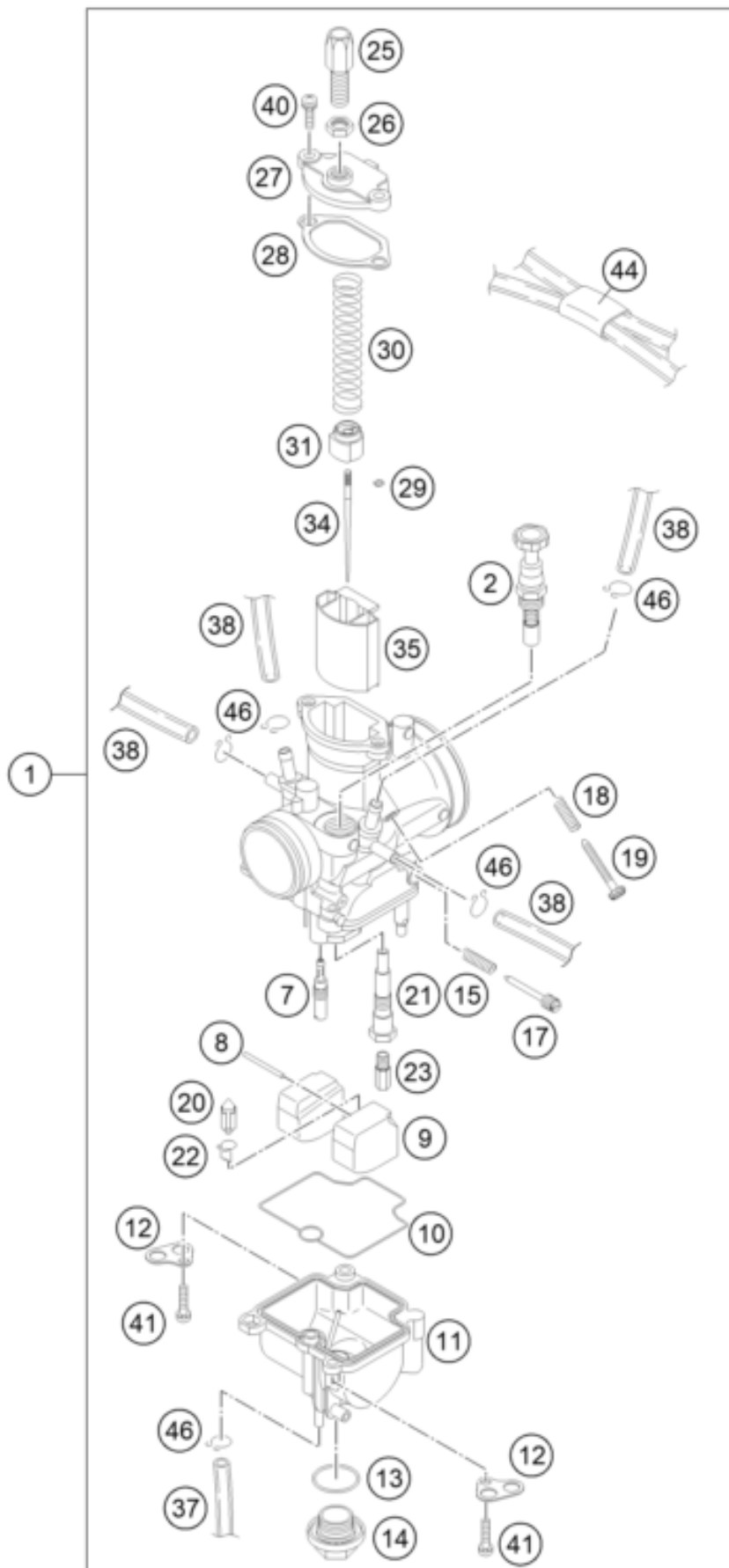


ACHTUNG !!!

Vor dem Einbau des Vergasers, Bedüsung kontrollieren.

CAUTION !!!

Before mounting the carburetor, check the jetting.



Pos	Part Number	Description	Additional Text	Quantity
1	47031001000	CARBURETOR KEIHIN PWK 28 2003		1.00
2	54631245000	STARTER PISTON CPL.		1.00
7	54531607038	IDLE JET 38 KEIHIN	450-650 FE+FS	0.00
7	54531607040	IDLE JET 40 KEIHIN	450 SMR	0.00
7	54531607045	IDLE JET 45 KEIHIN	200 MXC/EXC-USA	1.00
7	54531607042	IDLE JET 42 KEIHIN	525 SMR	0.00
7	54531607048	IDLE JET 48 KEIHIN	125 SX	0.00
7	54531607050	IDLE JET 50 KEIHIN		0.00
8	57331008000	ARM PIN FLOAT		1.00
9	47031009000	FLOAT CPL. PWK28 03		1.00
10	47031010000	FLOAT CHAMBER GASKET		1.00
11	47031011000	FLOAT CHAMBER PWK28 03		1.00
12	54531612100	RETAINING PLATE FOR BLEEDER		2.00
13	0770180230	O-RING 18,00X2,30 NBR 70		1.00
14	54531699000	PLUG M 18X1		1.00
15	54531615000	SPRING FOR ADJUSTMENT SCREW		1.00
17	54531617000	ADJUSTMENT SCREW		1.00
18	54631118000	SPRING		1.00
19	54631219100	ADJUSTMENT SCREW M 5		1.00
20	47031020000	FLOAT NEEDLE CPL.		1.00
21	47031021000	NEEDLE JET		1.00
22	54531621000	CLAMP		1.00
23	54531623115	MAIN JET 115 KEIHIN		0.00
23	54531623118	MAIN JET 118 KEIHIN		0.00
23	54531623120	MAIN JET 120 KEIHIN		0.00
23	54531623122	MAIN JET 122 KEIHIN		0.00
23	54531623125	MAIN JET 125 KEIHIN		0.00
23	54531623128	MAIN JET 128 KEIHIN		0.00
23	54531623130	MAIN JET 130 KEIHIN		0.00
23	54531623132	MAIN JET 132 KEIHIN		0.00
23	54531623135	MAIN JET 135 KEIHIN		0.00
25	54531625000	ADJUSTMENT SCREW M 6X0,75		1.00
26	52031126000	HEXAGON NUT M 6X0,75 DIN0439		1.00
27	47031027000	CARBURETOR COVER PWK28 03		1.00
28	47031028000	CARBURETOR COVER GASKET PWK28		1.00
29	54531629000	CLIP FOR JET NEEDLE		1.00
30	47031030000	THROTTLE VALVE SPRING		1.00
31	47031031000	SPRING CAP		1.00
34	47031034000	JET NEEDLE N5HG KEIHIN		1.00
34	47031034100	JET NEEDLE N5HF KEIHIN		0.00
34	47031034200	JET NEEDLE N5HH KEIHIN		0.00
35	47031035000	THROTTLE VALVE 3,5		1.00
37	52031137001	PVC-HOSE 3X5MM		0.33
38	31007007101	PVC-HOSE 4X6MM		2.20
40	0016040163	HH COLLAR SCREW M 4X16 WS=6		2.00
41	0985040163	FLAT HEAD SCREW DIN7985-M 4X16		2.00
44	47031084000	PLASTIC-CLIP		1.00
46	54531696000	Clamp 6mm		5.00